



SONEKO IR, INC

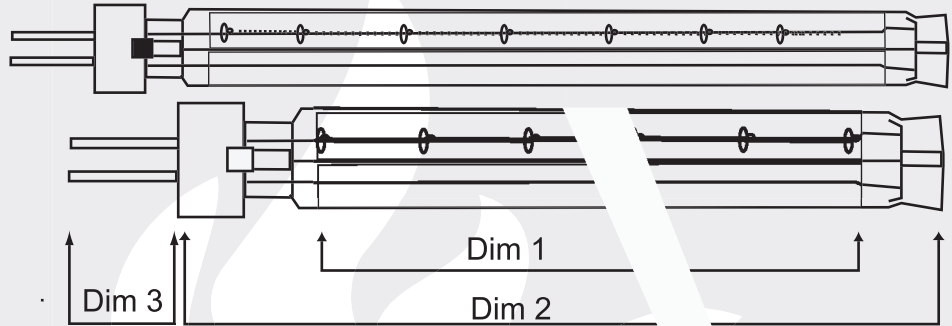
PH:732-271-1710
FX:732-271-3398

e-mail ir@soneko.com
www.soneko.com

www.soneko.com/new/lamps.htm

B

Twin Tube
Gold Reflector
Short Wave



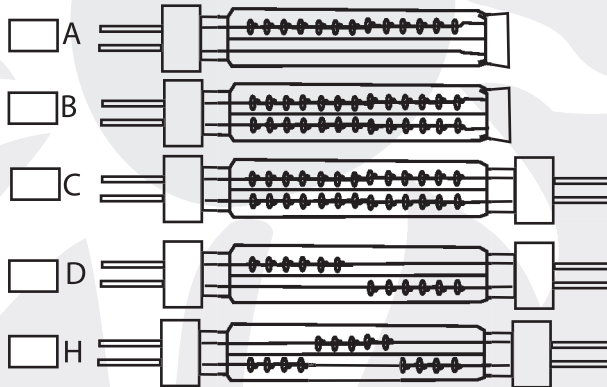
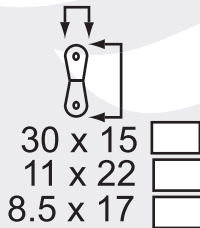
Wattage

Voltage

Dim 1 - Heated Length

Dim 2 - Overall Length

Dim 3 - Wire Length



Dryer Make & Model

Note:

Large empty rectangular box for notes.