

TO:



SONEKO IR, INC

PH:732-271-1710
FX:732-271-3398

e-mail ir@soneko.com
www.soneko.com

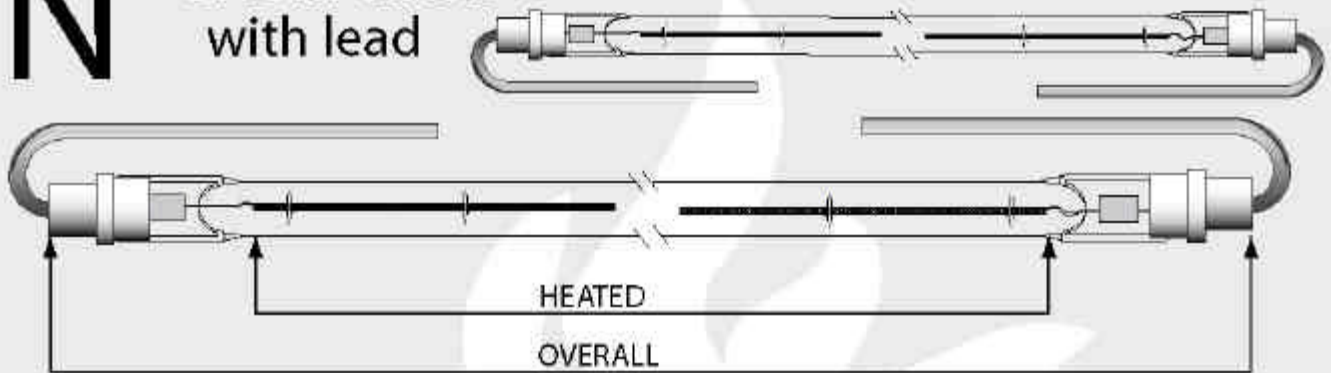
FROM: CONTACT _____

PHONE: _____ E-MAIL: _____

COMPANY: _____

N

SHORT WAVE with lead



Wattage _____

Overall Length _____

Voltage _____

Heated Length _____

Dryer Make & Model _____

Does the lamp have a reflector? Y N _____

Note: